

JOB NAME:

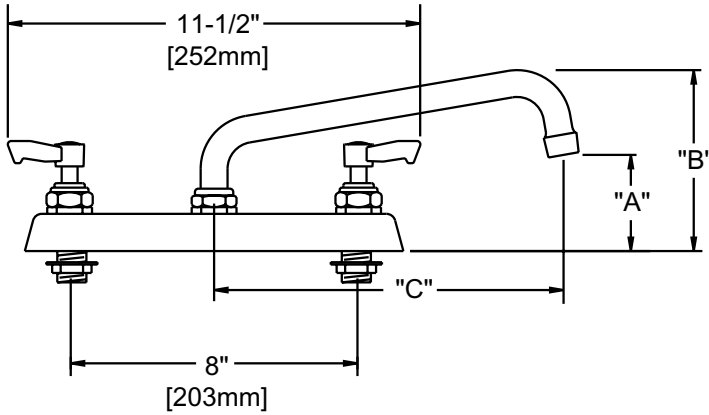
QUANTITY:

ITEM NO.:

PRODUCT NAME:
**8" C/C DECK FAUCET
 WITH SWING SPOUT**

MODEL:

- 26107 WITH 6" SWING SPOUT
- 26115 WITH 8" SWING SPOUT
- 26123 WITH 10" SWING SPOUT
- 26131 WITH 12" SWING SPOUT
- 26158 WITH 18" SWING SPOUT



MODEL	DIM "A"	DIM "B"	DIM "C"
26107	2-1/8" [54mm]	4-3/4" [121mm]	6" [152mm]
26115	2-1/2" [64mm]	5-1/4" [133mm]	8" [203mm]
26123	3-1/8" [79mm]	5-7/8" [149mm]	10" [254mm]
26131	3-5/8" [92mm]	6-3/8" [162mm]	12" [305mm]
26158	5-3/8" [137mm]	8-3/8" [213mm]	18" [457mm]

FEATURES:

- * 8" C/C DECK MOUNTED
- * 1" LONG SHANKS WITH LOCK NUTS AND 1/2" NPT THREADS

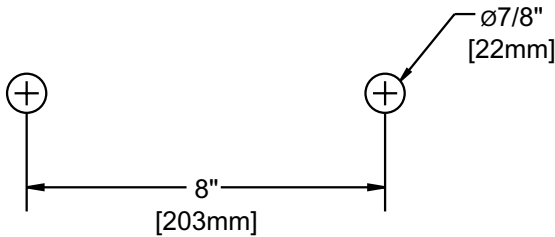
SYSTEM LIMITS

TEMP: 40 F MIN TO 140 F MAX
 PRESSURE 200 PSI MAX STATIC
 2.20 GPM AT 80 PSI

SHIPPING WEIGHT

* 5.5 LBS

ROUGH IN:



ANSI/A112.18.1M

Distributed by Fisher Manufacturing Company
 P.O. Box 60 Tulare, CA 93725-0060
 Phone 800-421-6162 FAX 800-8-FAUCET (800-832-8238)