



# CONVECTION OVEN

SILVERSTAR  
GAS, SINGLE DECK

## Standard Features

- ENERGY STAR® qualified (standard depth only)
- Patented, high efficiency, non-clog Inshot burners
- 72,000 BTU (NAT or LP)
- Available standard and bakery depths
- Single deck convection oven is 57-1/2" in height (with optional casters)
- Oven interior light
- Patented "plug-in, plug-out" control panel - easy to service
- Stainless Steel front, top and sides
- Dependent doors with windows (Full 180° opening)
- Coved, fastener-free, porcelain interior
- Heavy duty stainless steel door handle
- Soft Air, two speed, 1/2 hp, fan motor
- 11-position rack guides and 5 plated oven racks
- Electronic ignition with solid state temperature controls
- Forced cool down fan mode
- Oven "ready" light

SLGS/12SC, SLGS/12CCH  
SLGB/12SC, SLGB/12CCH



(SLGS/12SC shown with optional casters)

## Available Controls

### SC-Standard Controls

140°F to 500°F solid state thermostat and 60 minute mechanical cook timer.

### CCH-Cycle / Cook & Hold Control

150°F to 500°F temperature controller with 140°F to 200°F "Hold" thermostat Dual digital display shows time and temperature. A fan cycle timer pulses the fan.

## STANDARD CONSTRUCTION SPECIFICATIONS

**Exterior Finish:** Stainless steel front, top and sides. Aluminized steel back.

**Doors:** Dependent doors with windows. Stainless steel construction, heavy-duty welded steel frame and 5/8" diameter full-length hinge pin.

**Oven Interior:** Porcelain enamel finish, coved, fastener free. Single oven interior light.

**Rack and Rack Guides:** Heavy-duty removable wire rack guides spaced on 1-5/8" centers offer 11 different rack positions. 5 wire racks provided with each oven.

**Blower Fan and Motor:** 1/2hp, 2-speed motor, 1710/1120 r.p.m

**Oven Heating:** 72,000 BTU (NAT or LP). Oven heating is regulated by an adjustable solid state thermostat control. Blower fan circulates air within the cavity "scrubbing" heat to the oven interior for even heat distribution within the cavity.

**Electronic Ignition:** Hot surface ignitor with flame safety device.

**Control Panel:** Located of front, at right side of oven, away from heat zone. Removable panel opens downward for easy servicing.

**Legs:** 26" Stainless steel, triangular legs standard.

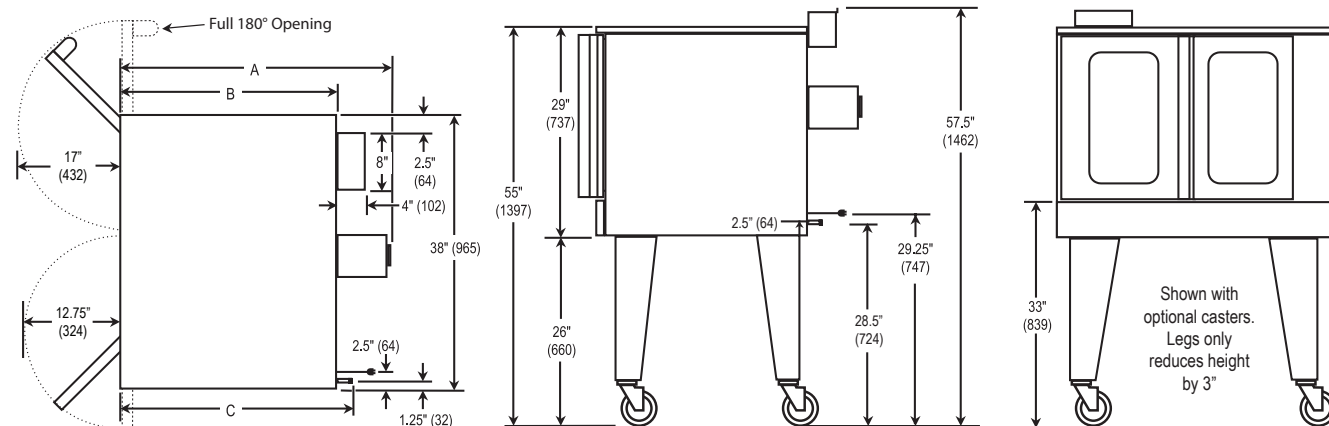
**Note:** Oven cannot be operated without fan in operation.



Job  
Item#

Models:  SLGS/12SC  SLGS/12CCH  SLGB/12SC  SLGB/12CCH

Dimensions -in (mm)



MODEL	DEPTH			OVEN INTERIOR			RACK CLEARANCE		SHIPPING CRATE				
	A	B	C	WIDTH	DEPTH	HEIGHT	WIDTH	DEPTH	WIDTH	DEPTH	HEIGHT	VOLUME	WEIGHT
SLGS/12	37" (940)	30" (763)	34.38" (873)	29" (737)	22.5" (572)	20" (508)	28.25" (718)	22" (559)	48" (1220)	57" (1448)	46" (1168)	72.8 cu. ft. (2.06 cu. m.)	620 lbs (281.2 kg.)
SLGB/12	44" (1118)	37" (940)	40.75" (1035)	29" (737)	28" (711)	20" (508)	28.25" (718)	27.25" (692)	48" (1220)	57" (1448)	46" (1168)	72.8 cu. ft. (2.06 cu. m.)	690 lbs (313.0 kg.)

**Note:** When shipped on legs, crated height is 69" (1753 mm)

**UTILITY INFORMATION**

- GAS:**
- Standard and Bakery Depth: 72,000 BTU (NAT or LP) per oven cavity
  - One 3/4" male connection
  - Required minimum inlet pressure:
    - Natural gas 7" W.C.
    - Propane gas 11" W.C.

**ELECTRIC:** Standard: 120/60/1 phase, furnished with 6' cord w/3-prong plug (1 plug/deck). NEMA #5-15p. Total maximum amps 7.9.  
 Optional: 208/60/1 (190-219 volts). Supply must be wired to junction box with terminal block located at rear. Total maximum amps 4.3 per deck.  
 Optional: 240/60/1 (220-240 volts). Supply must be wired to junction box with terminal block located at rear. Total maximum amps 3.8 per deck.  
 Optional: 240/50/1 (208-240 volts). Supply must be wired to junction box with terminal block located at rear. Total maximum amps 6.0 per deck

**MISCELLANEOUS**

- If using flex hose connector, the I.D should not be smaller than 3/4" and must comply with ANSI Z 21.69.
- If casters are used with flex hose, a restraining device should be used to eliminate undue strain on the flex hose.
- Clearances from combustibles: Top-0", bottom-0", right side-0" and left-3"
- Recommend - install under vented hood
- Check local codes for fire and sanitary regulations
- If the unit is connected directly to the outside flue, an A.G.A approved down draft diverter must be installed at the flue outlet of the oven
- Oven cannot be operated without fan in operation

Notice: Southbend reserves the right to change specifications and product design without notice. Such revisions do not entitle the buyer to corresponding changes, improvements, additions, or replacements for previously purchased equipment.

**OPTIONS AND ACCESSORIES**

- Stainless Steel rear jacket
- Bolt-down flanged legs
- Extra oven racks
- Stainless Steel oven interior
- Swivel Caster - front with locks
- Down draft diverter for direct flue
- Stainless Steel exterior bottom
- Knocked down packaging
- 3/4" quick disconnect with flexible hose (specify length: 3ft, 4ft, or 5ft)
- 6" stainless steel legs
- Export Crating
- 2" air insulation panel (stainless steel only)
- 208/240V 50/60 cycle (for use on single phase only)

**INTENDED FOR COMMERCIAL USE ONLY.  
NOT FOR HOUSEHOLD USE.**



1100 Old Honeycutt Road, Fuquay-Varina, NC 27526  
(919) 762-1000 www.southbendnc.com