



STAR GRILL-MAX™ ACCESSORIES SNEEZE GUARDS

Features/Benefits:

- ★ Star's Sneeze Guards have Ultra clear plastic to provide a clear and appetizing view of products.
- ★ Easy installation - fits tightly on sides of Roller Grills - no tools required.
- ★ Maintain cooking and warming temperatures more evenly.
- ★ One and two door styles available for use as operator only or self-serve applications.
- ★ Models are available to fit all new and old style roller grills Grill-Max roller grills (Models 40 and 12 excluded).
- ★ UL sanitation and safety approved - Meets Health Department requirements.
- ★ Heavy-duty polycarbonate material for years of maintenance free service.
- ★ Pass thru styles available.
- ★ Door access accommodates both operator and self-serve needs.
- ★ Sneeze guards have nesting framework to provide a secure fit for all Star roller grills.



Model 30SG-1D

Applicaton:

These sneeze guards are designed to fit our new style Star Grill-Max roller grills and the old style roller grill models. Complete your needs by adding a sneeze guard to protect your products.

Quality Construction:

Star's line of sneeze guards are constructed of 3/16" thick formed polycarbonate for easy maintenance free service.

Warranty:

Sneeze Guards are covered by Star's one year parts and labor warranty.



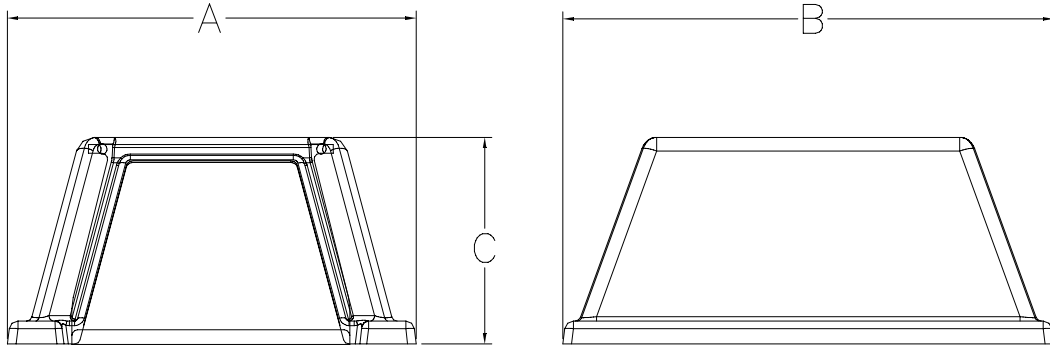
Model 45SG-FCA with optional SGS Sneeze Guard Shields





STAR GRILL-MAX™ ACCESSORIES

SNEEZE GUARDS



Model Specifications

| Model No. | Description | Dimensions | | | Shipping |
|-------------------------------------|--|--------------------------------|--------------------------------|---------------------------------|------------------------|
| | | (A) Width Inches (cm) | (B) Depth Inches (cm) | (C) Height Inches (cm) | Weight lbs. (kg) |
| STAR GRILL-MAX SNEEZE GUARDS | | | | | |
| 20SG-1D | Single Door Sneeze Guard- Models 20 & 20S | 17-1/2" | 21-3/8" | 9" | 12 |
| 20SG-2D | Two Door Sneeze Guard- Models 20 & 20S | (44.5) | (54.3) | (22.9) | (5.4) |
| 30SG-1D | Single Door Sneeze Guard- Models 30, 30S, 30BB, 30SBB | 24-1/2" | 21-3/8" | 9" | 15 |
| 30SG-2D | Two Door Sneeze Guard- Models 30, 30S, 30BB, 30SBB | (62.2) | (54.3) | (22.9) | (6.8) |
| 45SG-1D | Single Door Sneeze Guard- Models 45A, 45SA, 45ABB, 45SABB | 24-1/2" | 29-1/4" | 9" | 17 |
| 45SG-2D | Two Door Sneeze Guard- Models 45A, 45SA, 45ABB, 45SABB | (62.2) | (74.3) | (22.9) | (7.7) |
| 50SG-1D | Single Door Sneeze Guard- Models 50, 50S, 50BB, 50SBB | 36-1/2" | 21-3/8" | 9" | 20 |
| 50SG-2D | Two Door Sneeze Guard- Models 50, 50S, 50BB, 50SBB | (92.7) | (54.3) | (22.9) | (9.1) |
| 75SG-1D | Single Door Sneeze Guard- Models 75A, 75SA, 75ABB, 75SABB | 36-1/2" | 29-1/4" | 9" | 27 |
| 75SG-2D | Two Door Sneeze Guard- Models 75A, 75SA, 75ABB, 75SABB | (92.7) | (74.3) | (22.9) | (12.2) |
| OLD STYLE SNEEZE GUARDS | | | | | |
| 25SG-FCA | Two Door Sneeze Guard for Models 25 and 25S | 23-5/8" | 18" | 9" | 15 |
| | | (60.0) | (45.7) | (22.9) | (6.8) |
| 45SG-FCA | Two Door Sneeze Guard for Models 45 and 45S | 35-3/8" | 18" | 9" | 21 |
| | | (90.5) | (45.7) | (22.9) | (9.5) |
| 75SG-FCA | Two Door Sneeze Guard for Models 75A and 75SA | 35-3/8" | 27-1/2" | 9" | 21 |
| | | (90.5) | (12.5) | (22.9) | (9.5) |
| 40SGA-PT | Pass-thru Sneeze Guard for Models 40 and 40S | | | | |
| SNEEZE GUARD SHIELDS | | | | | |
| 20SGS | Sneeze Guard Shield to replace one door for Model 20 Sneeze Guards | | | | .2 |
| 30SGS | Sneeze Guard Shield to replace one door for Model 30 & 45 Sneeze Guards | | | | .3 |
| 50SGS | Sneeze Guard Shield to replace one door for Models 50 & 75 Sneeze Guards | | | | .4 |

Note: Sneeze Guard Shields can be added to two door models to create a pass through model. Dimensions will increase slightly in the depth of the unit.

Typical Specifications

Sneeze Guard is constructed with 3/16" formed polycarbonate. Units are UL - Sanitation Classified to NSF Std. #4 approved. Printed in the U.S.A.