



T&S BRASS AND BRONZE WORKS, INC.
 2 SADDLEBACK COVE / P.O. BOX 1088 / TRAVELERS REST, SC 29690
 PHONE 800-476-4103 - FAX 864- 834-3518



Sales No.

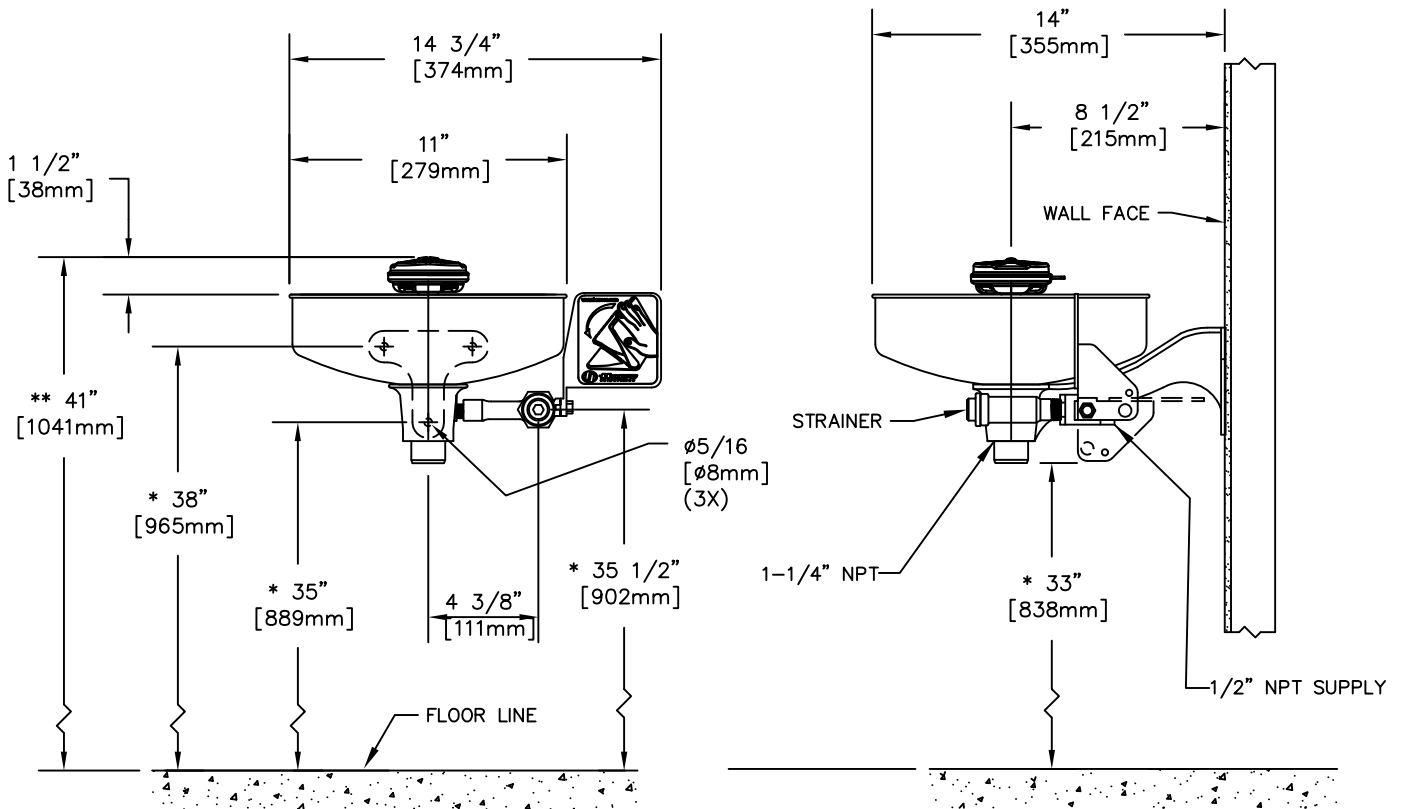
EW-7360B

**RELIABILITY
 BUILT IN**

Job Name:

Architect/Engineer Approval:

Notes:



NOTES:

- ** ANSI STANDARD Z358.1 SPECIFIES EYEWASH NOZZLES TO BE 33" [838mm] TO 45" [1143mm] ABOVE THE FLOOR.
- * THESE DIMENSIONS ARE FOR REFERENCE

Product Description:
 EYEWASH, WALL MOUNT

Drawn: DMH	Checked GEF	Scale: 1:8
---------------	----------------	---------------

Approved JHB	Date: 12/20/10
-----------------	-------------------