



# FULL FEATURED GAS CONVECTION OVEN

**WOLF RANGE COMPANY**



Model WKGD1



CSA design certified.  
NSF listed.

Approved by \_\_\_\_\_

Date: \_\_\_\_\_

**SPECIFY TYPE OF GAS AND FINISH WHEN ORDERING.  
SPECIFY ALTITUDE WHEN ABOVE 2,000 FT.**

**BASIC MODEL:**

**WKGD1** Single section gas convection oven

**KEY FEATURES:**

- ▶ Stainless steel front, sides and top.
- ▶ Painted legs.
- ▶ Stainless steel doors with double pane windows.
- ▶ 44,000 BTU/hr. burner.
- ▶ Electronic spark igniter.
- ▶ 1/2 H.P. two speed oven blower-motor. 120/60/1 with 6' cord and plug. 9 amps.
- ▶ Solid state temperature control adjusts from 150° to 500°F. 60 minute timer with audible alarm.
- ▶ Oven cool switch for rapid cool down.
- ▶ Porcelain enamel on steel oven interior.
- ▶ Five nickel plated oven racks with eleven rack positions.
- ▶ 3/4" rear gas connection with gas pressure regulator and safety solenoid system.
- ▶ One year limited parts and labor warranty.

**OPTIONAL FEATURES:**

- ▷ Stainless steel legs.
- ▷ Stainless steel open stand with storage rack.
- ▷ Five hour timer in place of 60 minute timer.
- ▷ Roast & Hold control.
- ▷ Casters.

**ACCESSORIES:**

- ▷ Extra oven rack(s).
- ▷ Stainless steel drip pan.
- ▷ Flexible gas hose with quick disconnect and restraining device.

**SPECIFICATIONS:**

Single section gas convection oven, Wolf Model No. WKGD1. Stainless steel front, sides, top and painted legs. Independently operated stainless steel doors with double pane windows. Non-sag insulation applied to the top, rear, sides, bottom and doors. Porcelain enamel on steel oven interior measures 29" w x 22 1/8" d x 20" h. Two interior oven lights. Five nickel plated oven racks measure 28 1/4" x 20 1/2". Eleven position nickel plated rack guides with positive rack stops. One 44,000 BTU/hr. burner. Electronic spark igniter. Furnished with a two speed 1/2 H.P. oven blower-motor. Solid state temperature control adjusts from 150° to 500°F. 60 minute timer with audible alarm. Oven cool switch for rapid cool down. 120 volt, 60 Hz, 1 ph power supply required. 6' cord and plug. 9 amps total draw.

Exterior dimensions: 40" w x 42 1/4" d x 56 3/4" h on 25 3/4" legs. Depth measurement includes door handles.

**MODEL: WKGD1 Single Section Gas Convection Oven**

**WOLF RANGE COMPANY**

Wolf Range Company  
Division of ITW Food Equipment Group LLC  
(800) 366-9653  
www.wolfrange.com

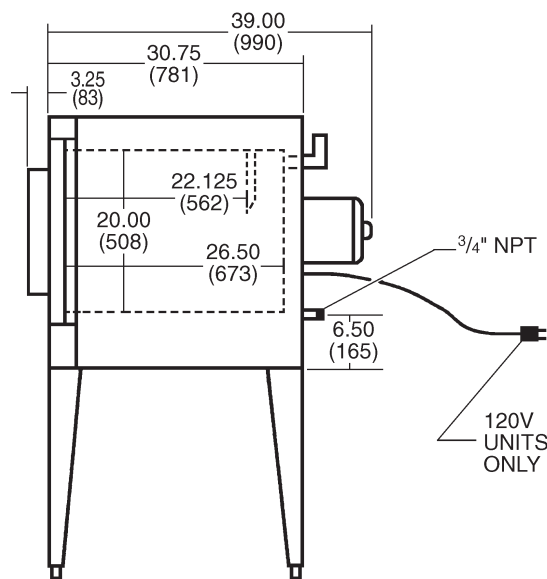
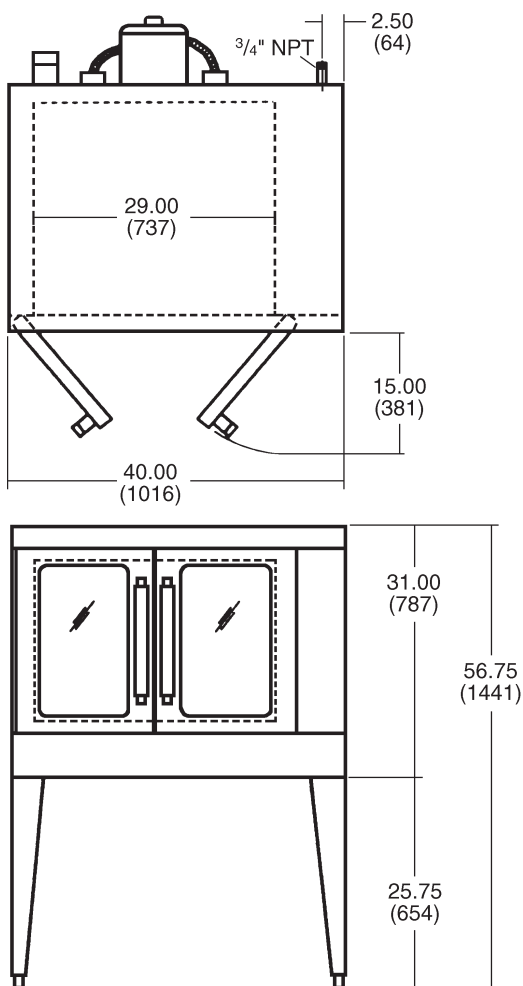


# Model WKGD1 Single Section Full Featured Gas Convection Oven

## IMPORTANT

1. A gas pressure regulator is included for this unit. Natural gas 3.5" W.C., propane gas 10.0" W.C.
2. An adequate ventilation system is required for commercial cooking equipment. Information may be obtained by writing to the National Fire Protection Association, 1 Batterymarch Park, Quincy, MA 02269, www.NFPA.org. When writing, refer to NFPA No. 96.
3. These units are manufactured for installation in accordance with ANSZ223.1 (latest edition), National Fuel Gas Code. Copies may be obtained from American Gas Association Inc., Accredited Standards Committee Z223, 400 N. Capitol St. NW, Washington, DC 20001 or the Secretary Standards Council, NFPA, 1 Batterymarch Park, Quincy, MA 02169-7471.
4. Clearances:
 

	Combustible	Non-combustible
Rear	2"	2"
Right Side	4"	4"
Left Side	1"	0"
5. This appliance is manufactured for commercial installation only and is not intended for home use.



MODEL NO.	WIDTH	DEPTH (INCLUDES HANDLES)	HEIGHT	BTU/HR. PER OVEN	TOTAL BTU/HR.	ELECTRICAL	APPROX. SHP. WT.	
							LBS.	KG
WKGD1	40"	42 <sup>1</sup> / <sub>4</sub> "	56 <sup>3</sup> / <sub>4</sub> "	44,000	44,000	120/60/1	497	225

**NOTE:** In line with its policy to continually improve its product, Wolf Range Company reserves the right to change materials and specifications without notice.  
 This appliance is manufactured for commercial use only and is not intended for home use.